



# 2015 CATALOG

High Pressure  
Water Pump Parts

## “NLB TYPE” FLUID ENDS



### ADVANCED PRESSURE SYSTEMS

701 S. Persimmon St., Suite 85 - Tomball, TX 77375

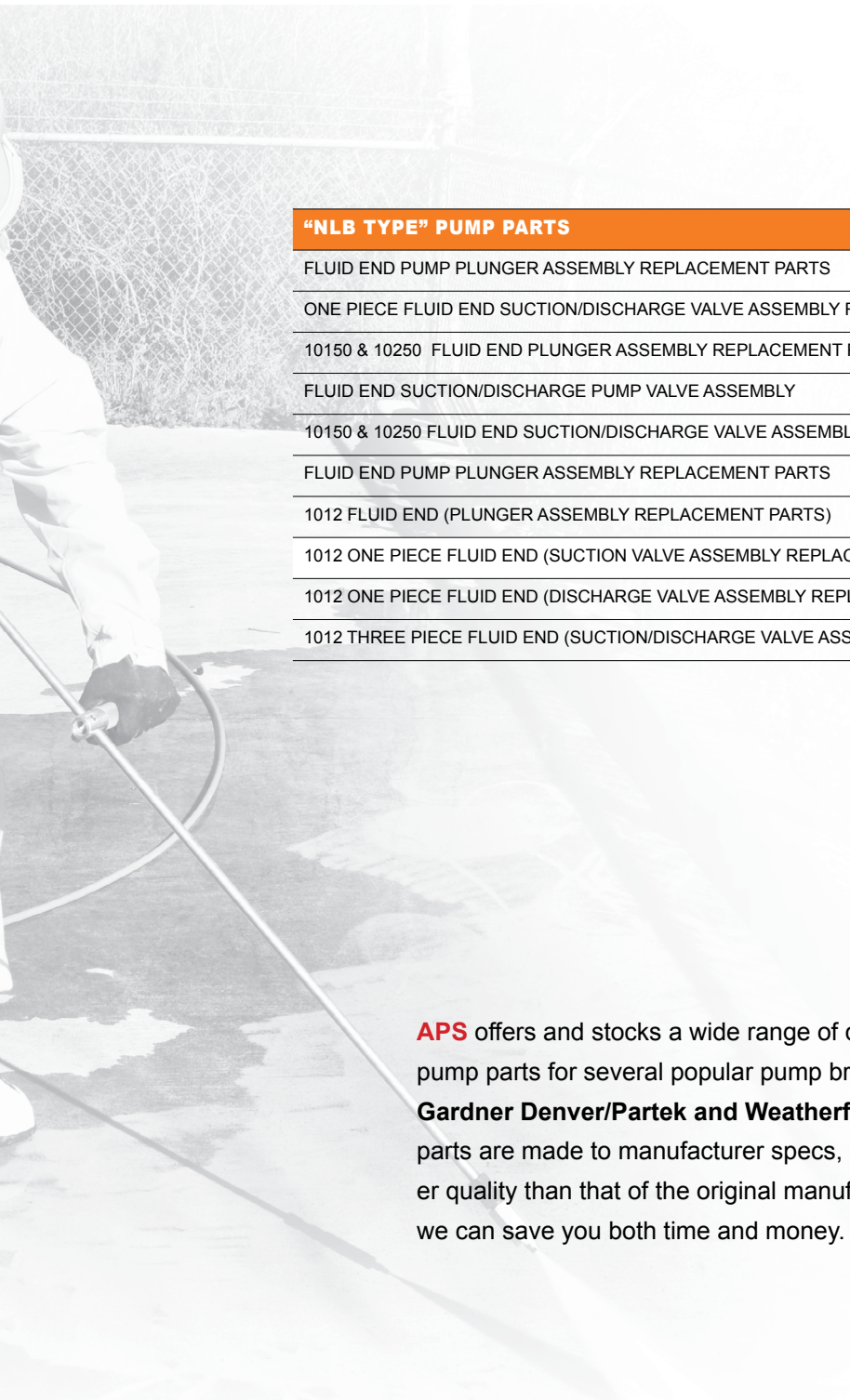
Toll Free in North America: (877) 290-4277

Phone: (281) 290-9950 Fax: (281) 290-9952

E-mail orders: [sales-team@waterblast.pro](mailto:sales-team@waterblast.pro)

[WWW.ADVANCEDPRESSURESYSTEMS.COM](http://WWW.ADVANCEDPRESSURESYSTEMS.COM)

[WWW.WATERBLAST.PRO](http://WWW.WATERBLAST.PRO)

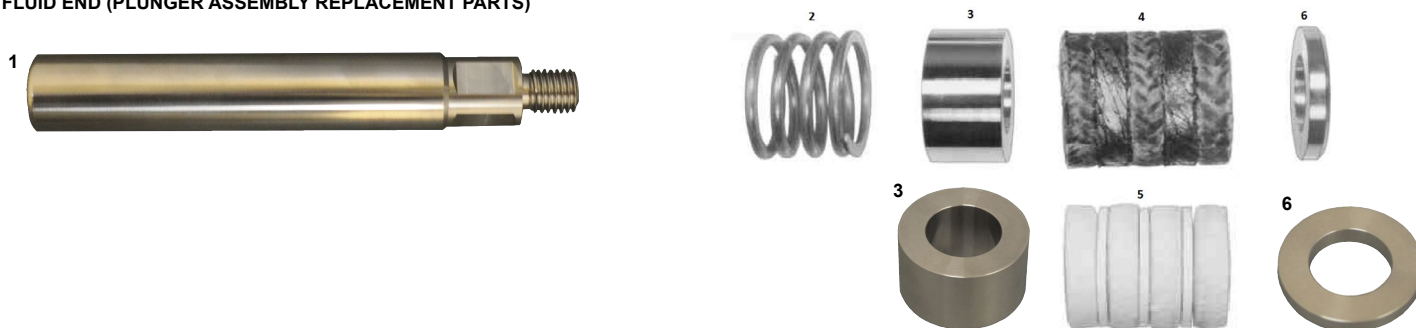


<b>"NLB TYPE" PUMP PARTS</b>	<b>PAGE</b>
FLUID END PUMP PLUNGER ASSEMBLY REPLACEMENT PARTS	<b>1</b>
ONE PIECE FLUID END SUCTION/DISCHARGE VALVE ASSEMBLY REPLACEMENT PARTS	<b>1</b>
10150 & 10250 FLUID END PLUNGER ASSEMBLY REPLACEMENT PARTS	<b>1</b>
FLUID END SUCTION/DISCHARGE PUMP VALVE ASSEMBLY	<b>1</b>
10150 & 10250 FLUID END SUCTION/DISCHARGE VALVE ASSEMBLY REPLACEMENT PARTS	<b>2</b>
FLUID END PUMP PLUNGER ASSEMBLY REPLACEMENT PARTS	<b>2</b>
1012 FLUID END (PLUNGER ASSEMBLY REPLACEMENT PARTS)	<b>2</b>
1012 ONE PIECE FLUID END (SUCTION VALVE ASSEMBLY REPLACEMENT PARTS)	<b>3</b>
1012 ONE PIECE FLUID END (DISCHARGE VALVE ASSEMBLY REPLACEMENT PARTS)	<b>3</b>
1012 THREE PIECE FLUID END (SUCTION/DISCHARGE VALVE ASSEMBLY REPLACEMENT PARTS)	<b>3</b>

**APS** offers and stocks a wide range of quality replacement pump parts for several popular pump brands including **NLB**, **Gardner Denver/Partek** and **Weatherford**. All **APS** pump parts are made to manufacturer specs, and are often of greater quality than that of the original manufacturers. Chances are, we can save you both time and money.

# "NLB TYPE" PUMP PARTS

## 1012 FLUID END (PLUNGER ASSEMBLY REPLACEMENT PARTS)



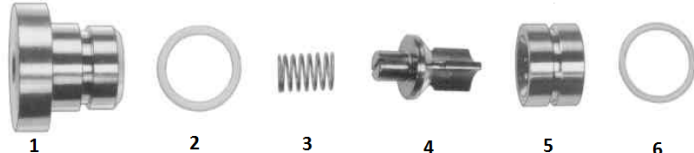
	0.875	1	1.125	1.25
(1) PLUNGER 17-4 S.S.	25-001-300	25-001-301	25-001-302	25-001-303
(1) PLUNGER COLMONOY	25-001-304	25-001-305	25-001-306	25-001-307
(EQUIVALENT NLB AND GDWJ PART#)	(NLB TYPE N-353-07)	(NLB TYPE N-353-10)	(NLB TYPE N-353-11)	(NLB TYPE N-353-12)
(2) PACKING SPRING	25-001-533	25-001-533	25-001-533	25-001-533
(EQUIVALENT NLB AND GDWJ PART#)	(NLB TYPE: N-334-1)	(NLB TYPE: N-334-1)	(NLB TYPE: N-334-1)	(NLB TYPE: N-334-1)
(3) THROAT BUSHING	25-001-200	25-001-201	25-001-202	25-001-203
(EQUIVALENT NLB AND GDWJ PART#)	(NLB TYPE N-341-07)	(NLB TYPE N-341-10)	(NLB TYPE N-341-11)	(NLB TYPE N-341-12)
(4) PACKING SET	25-001-108	25-001-109	25-001-110	25-001-111
(EQUIVALENT NLB AND GDWJ PART#)	(NLB TYPE 1608)	(NLB TYPE 1609)	(NLB TYPE 1610)	(NLB TYPE 1624)
(5) PACKING SET TEFLON	25-001-112	25-001-113	25-001-114	25-001-115
(6) BACKUP RING	25-001-204	25-001-205	25-001-206	25-001-207
(EQUIVALENT NLB AND GDWJ PART#)	(NLB TYPE N-339-07Z)	(NLB TYPE N-339-10)	(NLB TYPE N-339-11)	(NLB TYPE N-339-12)

## 1012 ONE PIECE FLUID END (SUCTION VALVE ASSEMBLY REPLACEMENT PARTS)



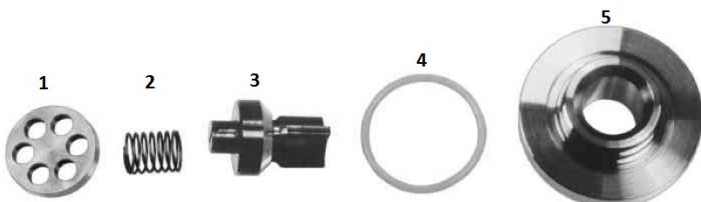
ITEM DESCRIPTION	QTY	APS PART #	EQUIVALENT NLB PART #
(1) O-RING, SUCTION VALVE SEAT	1	25-001-416	AA-1900
(2) SEAT, SUCTION VALVE	1	25-001-405	N-322
(3) SUCTION VALVE	1	25-001-404	N-320
(4) SPRING, SUCTION VALVE	1	25-001-501	N-334
(5) STOP, SUCTION VALVE	1	25-001-406	N-369

## 1012 ONE PIECE FLUID END (DISCHARGE VALVE ASSEMBLY REPLACEMENT PARTS)



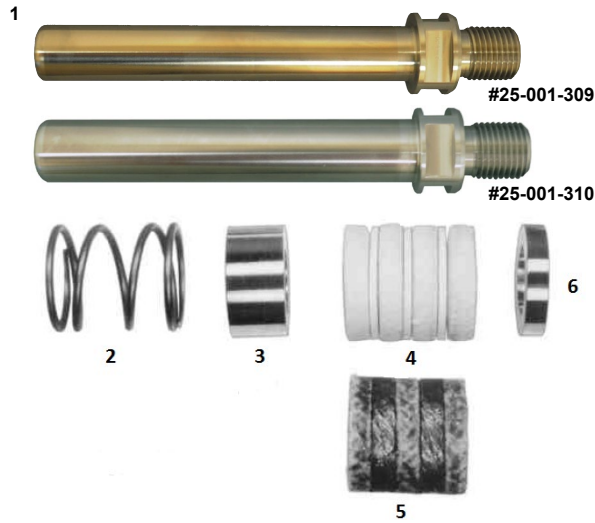
ITEM DESCRIPTION	QTY	APS PART #	EQUIVALENT NLB PART #
(1) STOP, DISCHARGE VALVE	1	25-001-407	N-370
(2) O-RING, DISCHARGE SEAT	1	30-010-215	AA-5020
(3) SPRING, DISCHARGE VALVE	1	25-001-535	N-335
(4) DISCHARGE VALVE	1	25-001-410	N-321
(5) SEAT, DISCHARGE VALVE	1	25-001-411	N-323
(6) O-RING, DISCHARGE SEAT	1	30-010-216	AA-1890

## 1012 THREE PIECE FLUID END (SUCTION/DISCHARGE VALVE ASSEMBLY REPLACEMENT PARTS)



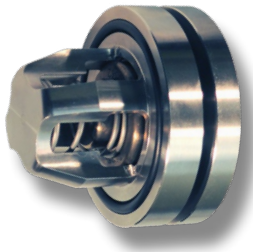
ITEM DESCRIPTION	QTY	APS PART #	EQUIVALENT NLB PART #
(1) STOP, SUCTION VALVE	1	25-001-413	N-369
(2) SPRING, VALVE	1	25-001-501	N-334
(3) VALVE	1	25-001-404	N-320
(4) O-RING, VALVE SEAT	2	30-010-225	AA-8390
(5) VALVE SEAT, SUCTION/DISCHARGE	1	25-001-417	NC-322/323

## 10150 & 10250 FLUID END PLUNGER ASSEMBLY REPLACEMENT PARTS

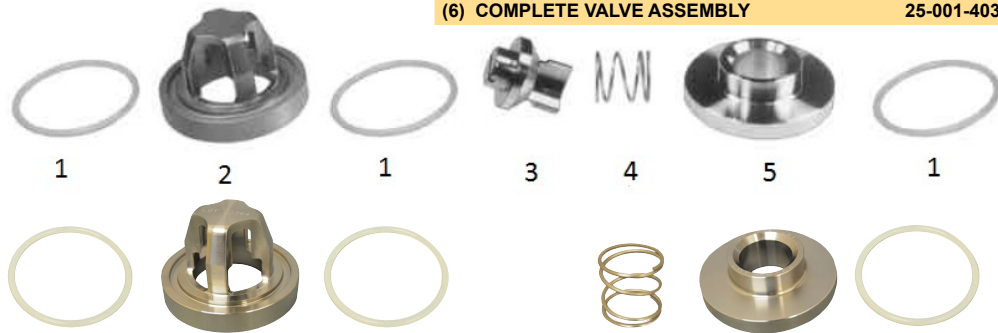


ITEM DESCRIPTION	PART NUMBER / DIAMETER			
	1.125	1.25	1.375	1.5
(1) PLUNGER 17-4 SS	25-001-315	25-001-316	25-001-317	25-001-318
EQUIVALENT NLB PART #	N/A	N/A	N/A	N/A
(1) PLUNGER COLMONOY	25-001-308	25-001-309	25-001-310	25-001-311
EQUIVALENT NLB PART #	N/A	L-353-12	L-353-13	L-353-14
(2) PACKING SPRING	25-001-503	25-001-503	25-001-503	25-001-503
EQUIVALENT NLB PART #	L-334-1	L-334-1	L-334-1	L-334-1
(3) THROAT BUSHING	25-001-216	25-001-217	25-001-218	25-001-219
EQUIVALENT NLB PART #	N/A	L-341-12	L-341-13	L-341-14
(4) PACKING SET TEFLON	25-001-104	25-001-105	25-001-106	25-001-107
EQUIVALENT NLB PART #	N/A	N/A	N/A	N/A
(5) PACKING SET	25-001-100	25-001-101	25-001-102	25-001-103
EQUIVALENT NLB PART #	N/A	1606	1611	1612
(6) BACKUP RING	25-001-220	25-001-221	25-001-222	25-001-223
EQUIVALENT NLB PART #	N/A	L-339-12	L-339-13	L-339-14

## 10150 & 10250 FLUID END SUCTION/DISCHARGE VALVE ASSEMBLY REPLACEMENT PARTS

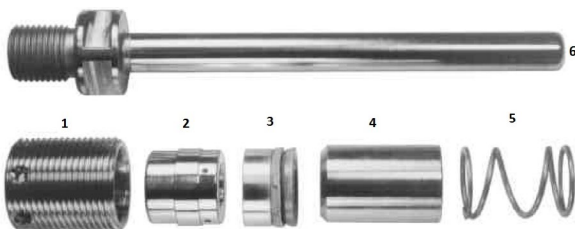


Complete Assembly  
25-001-403  
NLB TYPE  
L-901-WG



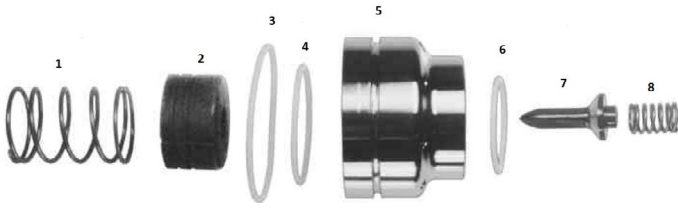
ITEM DESCRIPTION	QTY	PART #	NLB TYPE
(2) CAGE, SUCTION/DISCHARGE	1	25-001-402	L-322A/333A
(1) O-RING, VALVE	3	30-010-229	AA-8020
(4) SPRING, VALVE	1	25-001-500	L-334/335
(3) VALVE	1	25-001-400	L-320A321
(5) SEAT, VALVE	1	25-001-401	L-322A/323A
(6) COMPLETE VALVE ASSEMBLY		25-001-403	L-901-WG

## 20150/20250 FLUID END PUMP PLUNGER ASSEMBLY REPLACEMENT PARTS



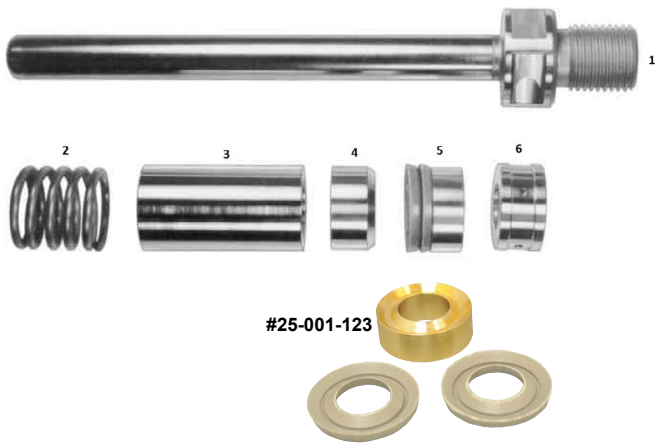
ITEM DESCRIPTION	0.875	1	1.125
(6) PLUNGER, COMOLOY	25-001-312	25-001-313	25-001-314
NLB EQUIVALENT NUMBER	G-353-07	G-353-010	G-353-11
(1) GLAND, PACKING	25-001-231	25-001-231	25-001-231
NLB EQUIVALENT NUMBER	G-338	G-338	G-338
(2) SEAL, CARRIER	25-001-232	25-001-233	25-001-234
NLB EQUIVALENT NUMBER	G-256-07	G-256-10	G-256-11
(3) PACKING SET	25-001-123	25-001-124	25-001-125
NLB EQUIVALENT NUMBER	1650	1651	1652
(4) BUSHING, THROAT	25-001-235	25-001-236	25-001-237
NLB EQUIVALENT NUMBER	G-641-07	G-341-10	G-341-11
(5) SPRING, PACKING	25-001-510	25-001-510	25-001-510
NLB EQUIVALENT NUMBER	G-334-1	G-334-1	G-334-1

## 20150/20250 FLUID END SUCTION/DISCHARGE PUMP VALVE ASSEMBLY



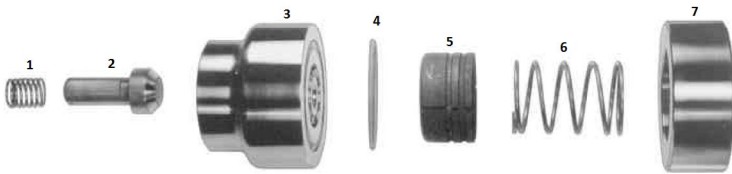
ITEM DESCRIPTION	PART ID	NLB TYPE ID
(1) SPRING, SUCTION VALVE	25-001-511	G-334
(2) VALVE, SUCTION	25-001-425	G-320
(3) O-RING VALVE SEAT OD	30-010-235	AA20-1120
(4) O-RING SUCTION FACE	30-010-229	AA20-1110
(5) SEAT, VALVE	25-001-426	G-384
(6) O-RING DISCHARGE FACE	30-010-225	AA20-1130
(7) VALVE, DISCHARGE	25-001-418	G-321
(8) SPRING, DISCHARGE VALVE	25-001-518	G-335

## 20156/20256 FLUID END PUMP PLUNGER ASSEMBLY REPLACEMENT PARTS



ITEM DESCRIPTION	0.875	1	1.125
(1) PLUNGER, COMMONLY	25-001-312	25-001-313	25-001-314
NLB EQUIVALENT PART ID	G-353-07	G-353-10	G-353-11
(2) SPRING, PACKING	25-001-519	25-001-519	25-001-519
NLB EQUIVALENT PART ID	G-734-1	G-734-1	G-734-1
(3) BUSHING, THROAT	25-001-230	25-001-230	25-001-230
NLB EQUIVALENT PART ID	G-741	G-741	G-741
(4) ADAPTER, MALE	25-001-238	25-001-239	25-001-240
NLB EQUIVALENT PART ID	G-742-07	G-742-10	G-742-11
(5) PACKING SET	25-001-123	25-001-124	25-001-125
NLB EQUIVALENT PART ID	1660	1661	1662
(6) SEAL, CARRIER	25-001-241	25-001-242	25-001-243
NLB EQUIVALENT PART ID	G-756-07	G-756-10	G-756-11

## ONE PIECE FLUID END SUCTION/DISCHARGE VALVE ASSEMBLY REPLACEMENT PARTS



ITEM DESCRIPTION	PART ID	NLB TYPE ID
(1) SPRING, DISCHARGE VALVE	25-001-527	G-535
(2) VALVE, DISCHARGE	25-001-427	G-521
(3) SEAT, SUCTION/DISCHARGE VALVE	25-001-430	G-784
(4) O-RING, SUCTION SIDE	30-010-229	AA-1587
(5) VALVE, SUCTION	25-001-428	G-520
(6) SPRING, SUCTION VALVE	25-001-532	G-534
(7) SLEEVE, UPPER	25-001-532	G-385

# YOU ARE RESPONSIBLE FOR SAFETY!

Advanced Pressure Systems publishes guides for the safe use of Water Blasting Equipment.

## Please READ them!

We also strongly advise that all personnel are fully conversant with:

***"Recommended Practices for the Use of Manually Operated High Pressure Water Jetting Equipment"***  
published by the Water Jet Technology Association.



These may be obtained free of charge by contacting:  
**ADVANCED PRESSURE SYSTEMS, L.P. (877) 290-4277**

## Conditions of Sale & Warranty

**General** - These terms and conditions and warranty provisions are applicable to all products contained in this catalog, and may not be varied, except in writing by a partner of APS Pressure Systems L.P.

### Terms of Sale –

- 1) All sales are FOB manufacturers plant, Houston, Texas, and are priced and must be paid for in US dollars.
- 2) The purchaser agrees to hold APS Pressure Systems (DBA: Advanced Pressure Systems) harmless for any and all claims arising from the misuse or misapplication of any product manufactured or supplied by Advanced Pressure Systems.
- 3) Products returned for credit will be subject to 15% restocking charge. Only standard products will be accepted for restocking. All sales of non-standard items are final.
- 4) Payment may be made by credit cards issued by VISA or MASTERCARD. Payment by credit cards issued by AMERICAN EXPRESS will be subject to 3% service charge.

**Warranty** - The following classes of products carry the warranty indicated. Any component included in an assembled product which is subject to wear is not warranted. Products which have been subject to abuse including misapplication, corrosion, excessive pressure, over-tightening and galling of screw threads will not be accepted for replacement under warranty. Products not manufactured by Advanced Pressure Systems will carry the warranty of the respective manufacturer

**Hose** - Not warranted. Coupling may be warranted by manufacturer.

**Rigid Lances** - Ninety days from date of shipment.

**Plungers and Pump Packing** - Not warranted.

**Control Guns, Flow Divider Valves, Flow Control Valves** - Ninety days from date of shipment.

**Relief Valves** - 180 days from date of shipment.

**Nozzles and nozzle inserts / orifices** - Not warranted

**Fittings, Connectors and Couplings** - 180 days from date of shipment.

**Shipping Costs** - Orders may be shipped prepaid by any regularly available means, and the cost will be paid by the customer. Other shipping costs including but not limited to: insurance for the full retail value of the products, packaging, crating and any other handling costs will be billed to the customer. If the customer collects the products from the Houston plant there will not be any shipping charges.

**Payment** - All invoices are due net 30 days from date of shipment. Any invoices which are more than 30 days past due will result in the account of the customer concerned to be placed on hold.



**ADVANCED PRESSURE SYSTEMS**

701 S. Persimmon St., Suite 85 - Tomball, TX 77375

Toll Free in North America: (877) 290-4277

Phone: (281) 290-9950 Fax: (281) 290-9952

E-mail orders: [sales-team@waterblast.pro](mailto:sales-team@waterblast.pro)

[WWW.ADVANCEDPRESSURESYSTEMS.COM](http://WWW.ADVANCEDPRESSURESYSTEMS.COM)

[WWW.WATERBLAST.PRO](http://WWW.WATERBLAST.PRO)